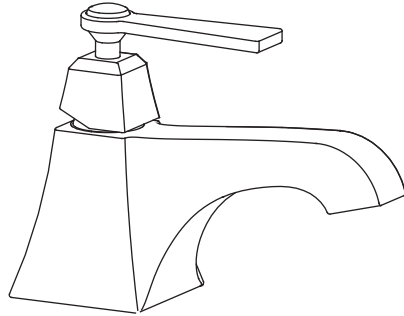


## R1001 | Single Hole Faucet



### SPECIFICATIONS:

- Solid Brass construction
- Single Hole Installation
- 1.5 GPM Flow Rate @ 60 PSI
- Ceramic disc cartridge allows both volume and temperature control



Drain Included

### FINISHES :

- Chrome - R1001CP

### STANDARDS:

- ASME A112.18.1 / CSA B125.1, NSF-61 & EPA Watersense

LowFlow Capable



Legislation Compliance



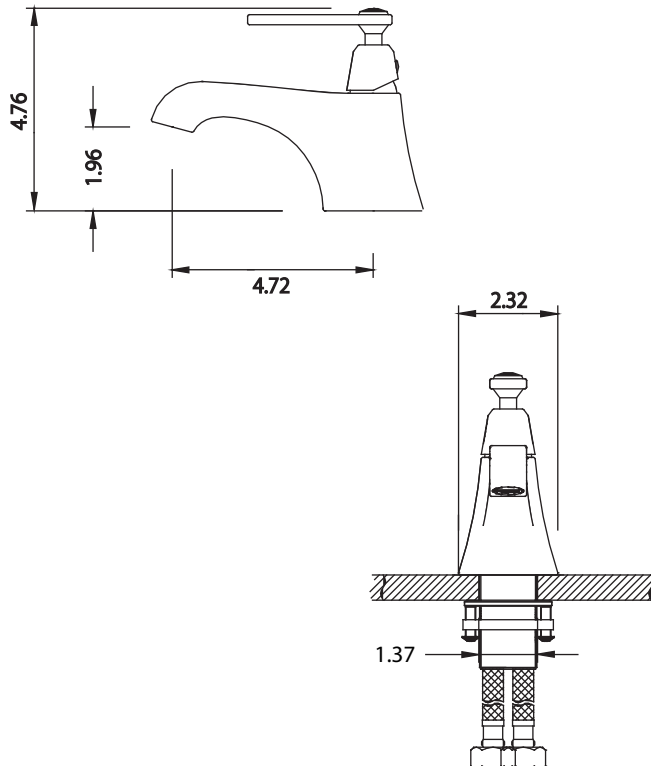
Low Lead Compliant



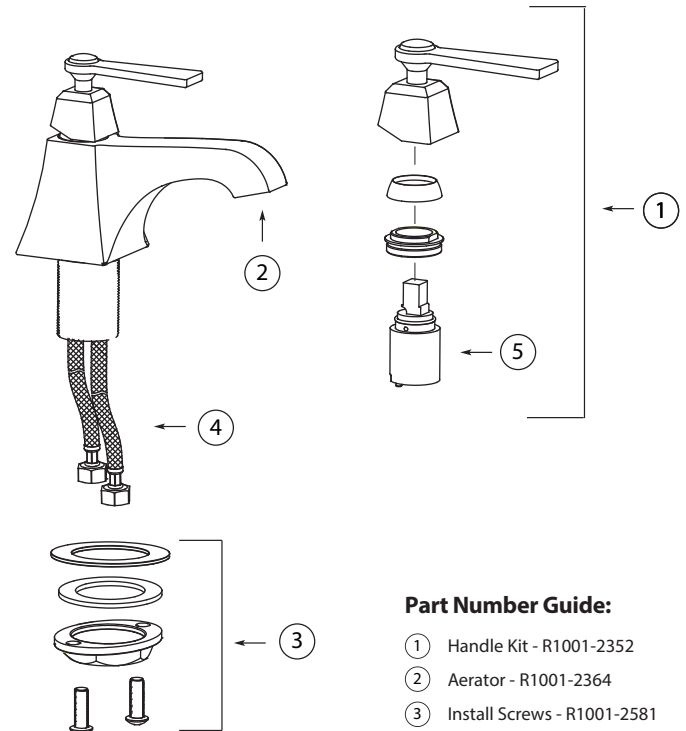
ZeroDrip Technology



### Technical Diagram



### Exploded View



### Part Number Guide:

- ① Handle Kit - R1001-2352
- ② Aerator - R1001-2364
- ③ Install Screws - R1001-2581
- ④ 3/8" Hose - 100.1000-8738
- ⑤ Cartridge - R1001-9853